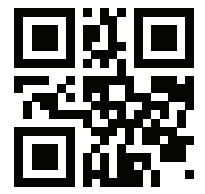


AUDIOPHILE ACOUSTICS



B2[®]

SWEET LIKE DANISH

RAGE XL SUBWOOFERS

MODEL: RAGE XL1201

MODEL: RAGE XL1202

MODEL: RAGE XL1501

MODEL: RAGE XL1502

PRODUCT ID: RAXL12D118

PRODUCT ID: RAXL12D218

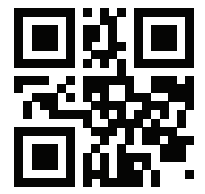
PRODUCT ID: RAXL15D118

PRODUCT ID: RAXL15D218

WWW.B2AUDIO.COM / WWW.FACEBOOK.COM/B2AUDIO



AUDIOPHILE ACOUSTICS



B2[®]

SWEET LIKE DANISH

RAGE XL SUBWOOFERS

MODEL: RAGE XL1001

MODEL: RAGE XL1002

MODEL: RAGE XL1801

MODEL: RAGE XL1802

PRODUCT ID: RAXL10D11S

PRODUCT ID: RAXL10D21S

PRODUCT ID: RAXL18D11S

PRODUCT ID: RAXL18D21S

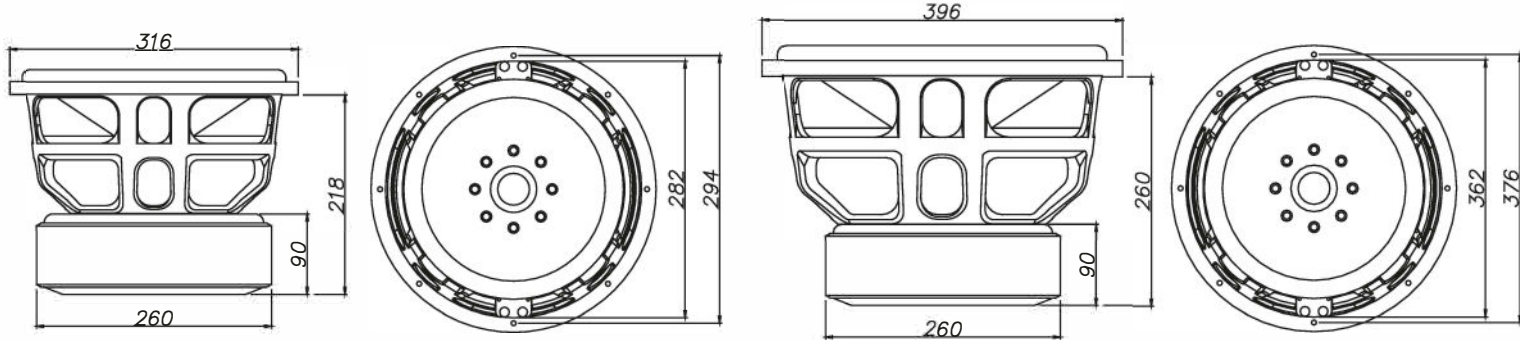
WWW.B2AUDIO.COM / WWW.FACEBOOK.COM/B2AUDIO





SWEET LIKE DANISH

MODEL: RAGE XL12 D1 / D2 - RAGE XL15 D1 / D2



| Model: | RAGE XL12D1 | RAGE XL12D2 | RAGE XL15D1 | RAGE XL15D2 |
|---------------------|--------------------|--------------------|---------------------|---------------------|
| Sensitivity: | 89.43 dB | 86 dB | 92.3 dB | 89 dB |
| Nominal Impedance: | Dual 1 Ω | Dual 2 Ω | Dual 1 Ω | Dual 2 Ω |
| DC Resistance (DC): | 2 Ω | 4 Ω | 2 Ω | 4 Ω |
| Voice Coil Dim: | 3" | 3" | 3" | 3" |
| Power Handling*: | 2000 Watts | 2000 Watts | 2000 Watts | 2000 Watts |
| Peak Dynamic Power: | 8000 watts | 8000 watts | 8000 watts | 8000 watts |
| XMAX one way (mm): | 35 | 35 | 35 | 35 |
| VAS: | 12.9 L | 14.3 L | 44.3 L | 41.7 L |
| FS: | 35 Hz | 35 Hz | 33 Hz | 32 Hz |
| QES: | 0.46 | 0.5 | 0.6 | 0.6 |
| QMS: | 6.32 | 6.5 | 7.32 | 7.67 |
| QTS: | 0.426 | 0.464 | 0.55 | 0.55 |
| Magnet: | 700 Oz | 700 Oz | 700 Oz | 700 Oz |
| Displacement: | 8.5 L / .295 cu.ft | 8.5 L / .295 cu.ft | 12.1 L / .427 cu.ft | 12.1 L / .427 cu.ft |

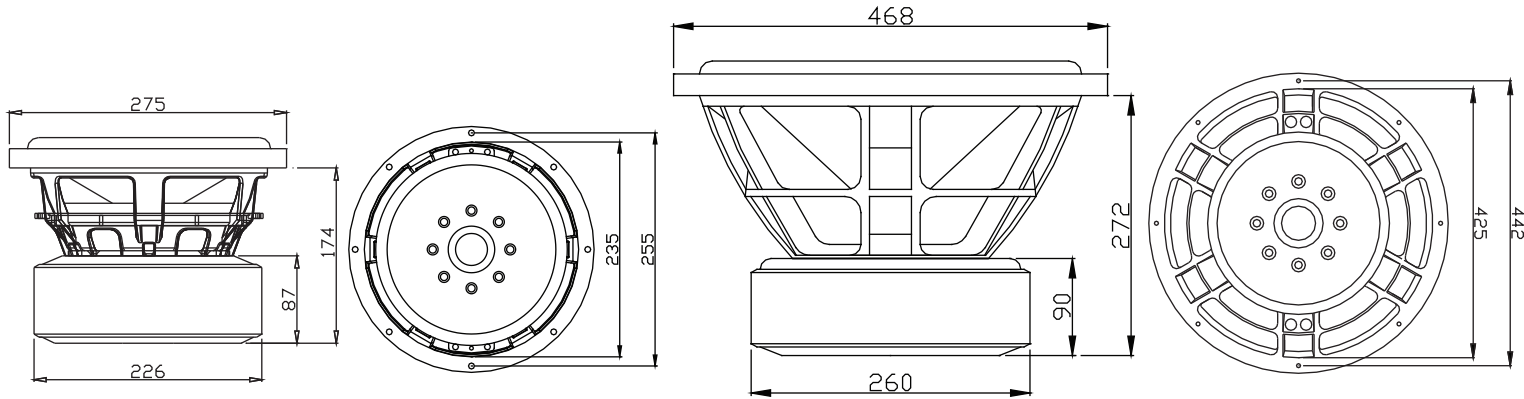
| ENCLOSURE SUGGESTIONS | | | |
|-----------------------|--------------------|--------------------------|--------------------------|
| TYPE | SEALED | PORTED COMPACT | PORTED |
| RAGE XL 12D1 | 30 L / 1.06 cu.ft | 50 L / 1.76 cu.ft | 75 L / 2.65 cu.ft |
| | Qtc 0.424 | P.A. 11.6 sq.in L:6.61" | P.A. 22.3 sq.in L:16.6" |
| | | FB: 42 Hz | FB: 35 Hz |
| RAGE XL 12D2 | 30 L / 1.06 cu.ft | 40 L / 1.41 cu.ft | 65 L / 2.3 cu.ft |
| | Qtc 0.461 | P.A. 11.6 sq.in L:9.2" | P.A. 22.3 sq.in L:14.25" |
| | | FB: 42 Hz | FB: 35 Hz |
| RAGE XL 15D1 | 50 L / 1.77 cu.ft | 87 L / 3.07 cu.ft | 155.7 L / 5.5 cu.ft |
| | Qtc 0.583 | P.A. 46.49 sq.in L:23" | P.A. 46.49 sq.in L:16.7" |
| | | FB: 38 Hz | FB: 32 Hz |
| RAGE XL 15D2 | 50 L / 1.77. cu.ft | 82.6 L / 2.92 cu.ft | 155.7 L / 5.5 cu.ft |
| | Qtc 0.579 | P.A. 46.49 sq.in L:24.5" | P.A. 46.49 sq.in L:16.7" |
| | | FB: 38 Hz | FB: 32 Hz |

*It's essential that our speakers are given time to allow the suspension to soften up. Depending on use, this may take several weeks. While this process is undergoing, it is not recommended to apply full amplification power according to the speaker's specs. Once the moving parts have been broken in, the performance of your speaker will increase. Abuse of the unit is **not** covered by warranty. The warranty does not cover (1) Speakers that have been used for spl purpose in competitions, (2) Damage caused by amplifier clipping or distortion, (3) Exposure to water, oil, solvent & excessive temperatures +/- (5) Cost of shipping to / from authorized service center.



SWEET LIKE DANISH

MODEL: RAGE XL10 D1 / D2 - RAGE XL18 D1 / D2



| Model: | RAGE XL10D1 | RAGE XL10D2 | RAGE XL18D1 | RAGE XL18D2 |
|---------------------|-------------|-------------|-------------|-------------|
| Sensitivity: | 90.3 dB | 86 dB | 95.7 dB | 91.45 dB |
| Nominal Impedance: | Dual 1 Ω | Dual 2 Ω | Dual 1 Ω | Dual 2 Ω |
| DC Resistance (DC): | 2 Ω | 4 Ω | 2 Ω | 4 Ω |
| Voice Coil Dim: | 3" | 3" | 3" | 3" |
| Power Handling*: | 1500 Watts | 1500 Watts | 2000 Watts | 2000 Watts |
| Peak Dynamic Power: | 6000 watts | 6000 watts | 8000 watts | 8000 watts |
| XMAX one way (mm): | 28 | 28 | 35 | 35 |
| VAS: | 11.7 L | 8.9 L | 101.3 L | 111.3 L |
| FS: | 3 | | | |
| | | | | |
| | | | | |
| | | | | |
| | | | | |

| ENCLOSURE SUGGESTIONS | | | | |
|-----------------------|--------------------|--|---|-----------|
| TYPE | SEALED | PORTED COMPACT | PORTED | BP 4TH |
| RAGE10XLD1 | 35 L / 1.236 cu.ft | 35 L / 1.236 cu.ft | 50 L / 1.76 cu.ft | |
| | Otc 0.408 | P.A. 12.4 sq.in L: 13.28" / 33.7 cm FB: 42 Hz | P.A. 12.4 sq.in L: 13.4" / 34 cm FB: 35 Hz | 3:1 Ratio |
| RAGE10XLD2 | 35 L / 1.236 cu.ft | 35 L / 1.236 cu.ft | 50 L / 1.76 cu.ft | |
| | Otc 0.427 | P.A. 15.5 sq.in L: 16.78" / 42.6 cm FB: 42 Hz | P.A. 17.05 sq.in L: 18.72" / 47.5 cm FB: 35 Hz | 3:1 Ratio |
| RAGE18XLD1 | 85 L / 3 cu.ft | 85 L / 3 cu.ft | 220 L / 7.75 cu.ft | |
| | Otc 0.664 | P.A. 32.7 sq.in L: 13.6" / 34.6 cm FB: 42 Hz | P.A. 68.18 sq.in L: 25" / 63.5 cm FB: 28 Hz | 3:1 Ratio |
| RAGE18XLD2 | 85 L / 3 cu.ft | 85 L / 3 cu.ft | 250 L / 8.82 cu.ft | |
| | Otc 0.633 | P.A. 30.7 sq.in L: 12.7" / 32.7 cm FB: 42 Hz | P.A. 61.36 sq.in L: 20.78" / 52.8 cm FB: 27 Hz | 3:1 Ratio |

*It's essential that our speakers are given time to allow the suspension to soften up. Depending on use, this may take several weeks. While this process is undergoing, it is not recommended to apply full amplification power according to the speaker's specs. Once the moving parts have been broken in, the performance of your speaker will increase. Abuse of the unit is **not** covered by warranty. The warranty does not cover (1) Speakers that have been used for spl purpose in competitions, (2) Damage caused by amplifier clipping or distortion, (3) Exposure to water, oil, solvent & excessive temperatures +/- (5) Cost of shipping to / from authorized service center.